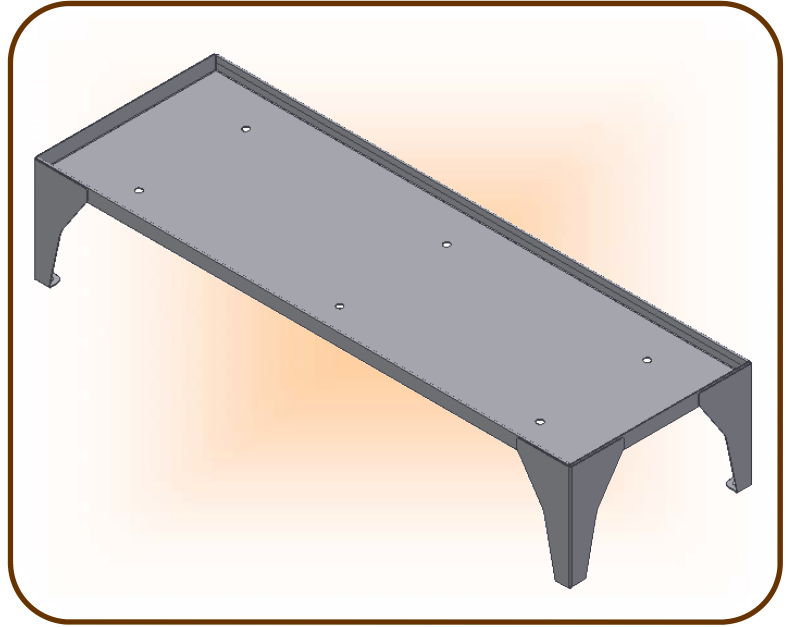


Bunk– Single Floor Mount

BUNK

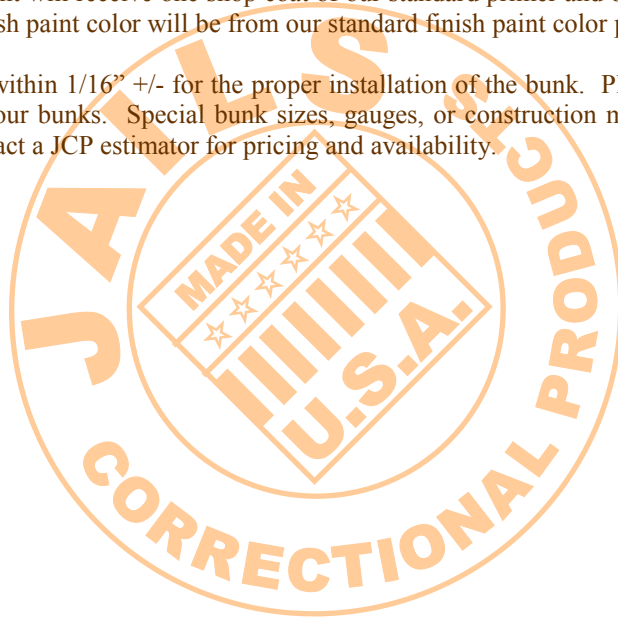
<u>JCP Models</u>	<u>Description</u>
J-1-8501	27" x 75" (prime paint)
J-1-8502	27" x 80" (prime paint)
J-1-8503	30" x 75" (prime paint)
J-1-8504	30" x 80" (prime paint)
J-1-8505	36" x 75" (prime paint)
J-1-8506	36" x 80" (prime paint)
J-1-8507	27" x 75" (finish paint)
J-1-8508	27" x 80" (finish paint)
J-1-8509	30" x 75" (finish paint)
J-1-8510	30" x 80" (finish paint)
J-1-8511	36" x 75" (finish paint)
J-1-8512	36" x 80" (finish paint)



JCP Specifications: Bunk pans are fabricated from 11 gauge HRPO steel and have a 2-1/4" hemmed lip on the front and back edge for additional strength. The sides of the pan have a 2-1/4" formed lip and the bottom of the pan has six 1" diameter ventilation holes. The four legs of the bunk are fabricated from 10 gauge HRPO steel with an integrated mounting pad at the bottom with a 1/2" diameter hole for a 3/8" diameter anchor that is supplied by the installer. The height of the bunk pan is 16" from the finished floor. All bunks will shipped fully welded and will receive one shop coat of our standard primer.

Bunks specified to receive finish paint will receive one shop coat of our standard primer and one shop coat of our standard finish paint with a textured finish. Finish paint color will be from our standard finish paint color palette.

Note: Floors must be flat and true within 1/16" +/- for the proper installation of the bunk. Please refer to JCP catalog section EA-04 for optional accessories for our bunks. Special bunk sizes, gauges, or construction may be available on a per project basis for additional cost, please contact a JCP estimator for pricing and availability.



JAILS CORRECTIONAL PRODUCTS A Division of **FABCOR, Inc.**

350 South Ohio Street, P.O. Box 58
Minster, Ohio 45865
www.fabcor.com

Phone: (419) 628- 4428
Fax: (419) 628- 2899
E-mail: jails@fabcor.com

Equipment Assembly

EA-03.01

Revision C

©2003 Fabcor, Inc.