

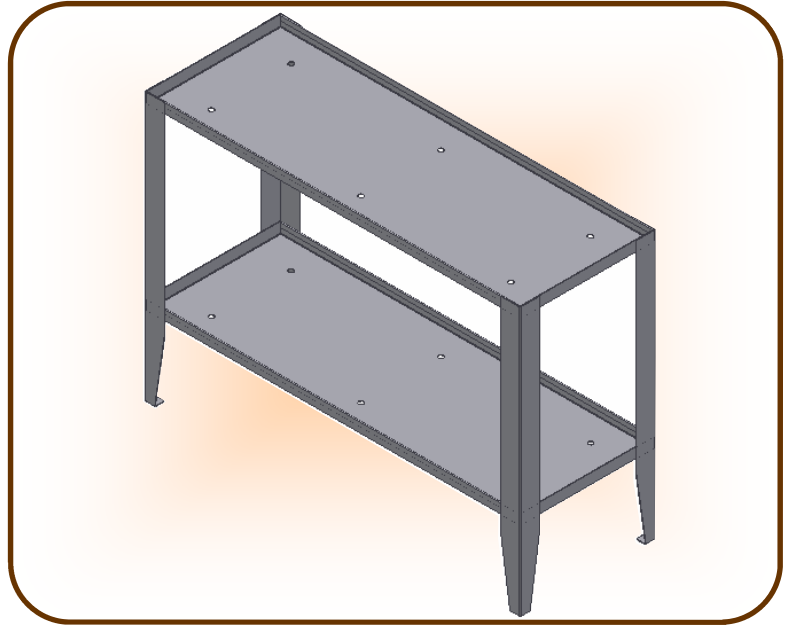
Bunk– Double Floor Mount

BUNK

JCP Models

Description

J-1-8531	27" x 75" (broke down, prime paint)
J-1-8532	27" x 80" (broke down, prime paint)
J-1-8533	30" x 75" (broke down, prime paint)
J-1-8534	30" x 80" (broke down, prime paint)
J-1-8535	36" x 75" (broke down, prime paint)
J-1-8536	36" x 80" (broke down, prime paint)
J-1-8537	27" x 75" (full weld, prime paint)
J-1-8538	27" x 80" (full weld, prime paint)
J-1-8539	30" x 75" (full weld, prime paint)
J-1-8540	30" x 80" (full weld, prime paint)
J-1-8541	36" x 75" (full weld, prime paint)
J-1-8542	36" x 80" (full weld, prime paint)
J-1-8543	27" x 75" (full weld, finish paint)
J-1-8544	27" x 80" (full weld, finish paint)
J-1-8545	30" x 75" (full weld, finish paint)
J-1-8546	30" x 80" (full weld, finish paint)
J-1-8547	36" x 75" (full weld, finish paint)
J-1-8548	36" x 80" (full weld, finish paint)

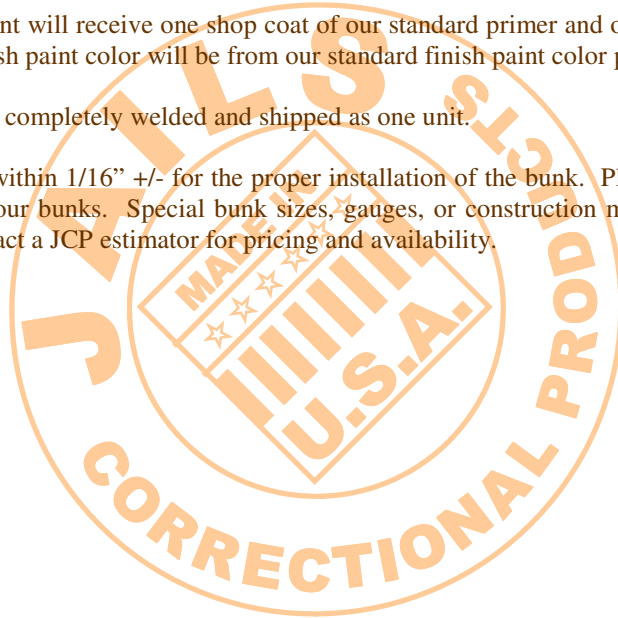


JCP Specifications: Bunk pans are fabricated from 11 gauge HRPO steel and have a 2-1/4" hemmed lip on the front and back edge for additional strength. The sides of the pan have a 2-1/4" formed lip and the bottom of the pan has six 1" diameter ventilation holes. The four legs of the bunk are fabricated from 10 gauge HRPO steel with an integrated mounting pad at the bottom with a 1/2" diameter hole for a 3/8" diameter anchor that is supplied by the installer. The height of the bottom bunk pan is 16" from the finished floor and the top pan is 52" from the finished floor. All bunks will shipped broke down and will receive one shop coat of our standard primer. Field assembly and welding is by the installer.

Bunks specified to receive finish paint will receive one shop coat of our standard primer and one shop coat of our standard finish paint with a textured finish. Finish paint color will be from our standard finish paint color palette.

Bunks specified as full weld shall be completely welded and shipped as one unit.

Note: Floors must be flat and true within 1/16" +/- for the proper installation of the bunk. Please refer to JCP catalog section EA-04 for optional accessories for our bunks. Special bunk sizes, gauges, or construction may be available on a per project basis for additional cost, please contact a JCP estimator for pricing and availability.



JAILS CORRECTIONAL PRODUCTS A Division of **FABCOR, Inc.**

350 South Ohio Street, P.O. Box 58
Minster, Ohio 45865
www.fabcor.com

Phone: (419) 628- 4428
Fax: (419) 628- 2899
E-mail: jails@fabcor.com

Equipment Assembly

EA-03.02

Revision C

©2003 Fabcor, Inc.