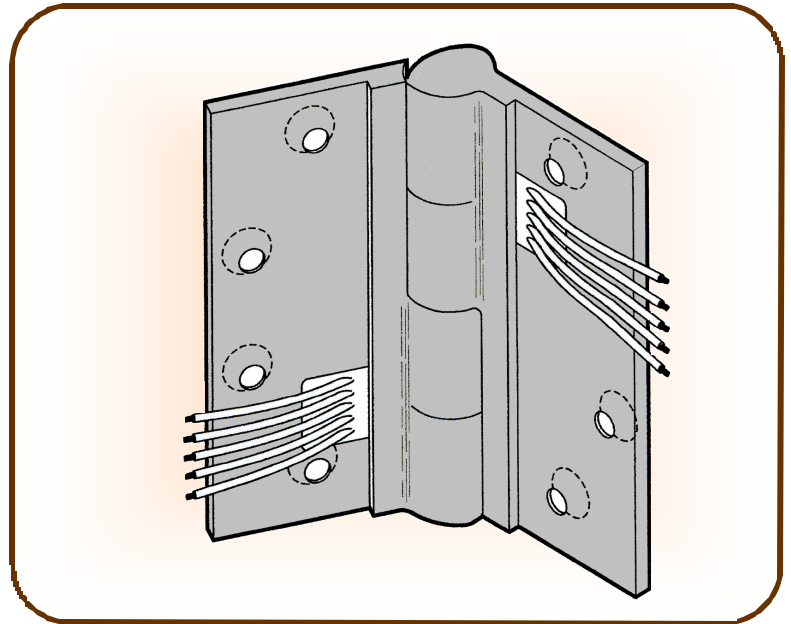


# Hinge- Mortise Electric Transfer Mount

**HINGE**

| <u>JCP Models</u> | <u>Description</u>                      |
|-------------------|---|
| J-7-9301          | Mortise Electric Transfer Hinge x US32D |



**JCP Specifications:** The JCP mortise electric transfer hinge is 4-1/2" x 4-1/2" x 3/16" thick investment cast stainless steel with a US32D finish. The hinge has hospital tips, is non-handed, reversible, and maintenance-free anti-friction bearings. The hinge is supplied with Torx® w/ pin security screws and meets ANSI/BHMA A156.7, NFPA 80, and the NAAMM standard HMMA 863-96. This hinge also has five (5) color coded 18 gauge UL® recognized wire. Note that this hinge is non-load bearing and requires additional hinge(s) to carry the load of the door.

Always verify that you have the correct template for your specific project.



**JAILS CORRECTIONAL PRODUCTS** A Division of **FABCOR, Inc.**

350 South Ohio Street, P.O. Box 58  
Minster, Ohio 45865  
www.fabcor.com

Phone: (419) 628- 4428  
Fax: (419) 628- 2899  
E-mail: jails@fabcor.com

Hardware Assembly

**HA-04.04**

Revision C

©2003 Fabcor, Inc.