

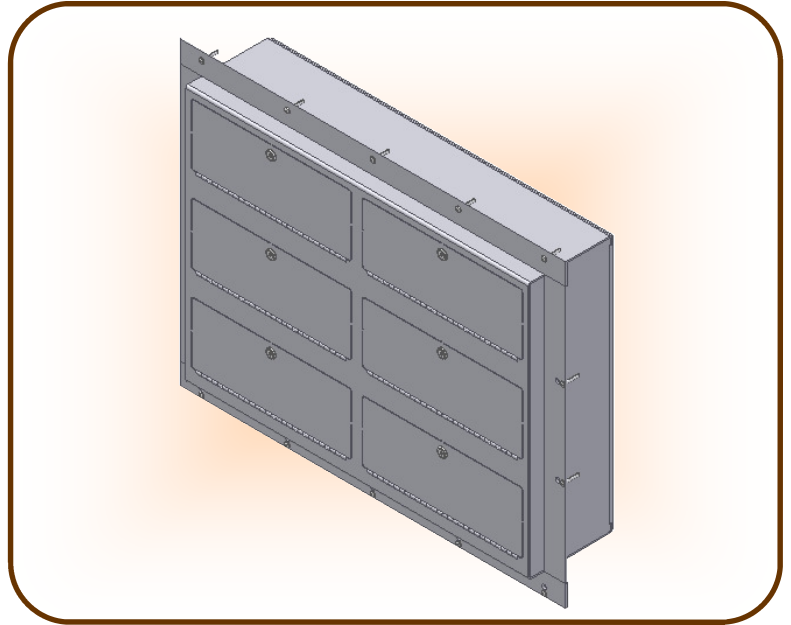
Pistol Locker– Compartment- Recessed Mount

PISTOL LOCKER

JCP Models

Description

J-1-4101	Three Compartment Pistol Locker
J-1-4102	Six Compartment Pistol Locker (shown)
J-1-4103	Nine Compartment Pistol Locker
J-1-4104	Twelve Compartment Pistol Locker
J-1-4105	Three Compartment Pistol Locker w/ Finish Paint
J-1-4106	Six Compartment Pistol Locker w/ Finish Paint
J-1-4107	Nine Compartment Pistol Locker w/ Finish Paint
J-1-4108	Twelve Compartment Pistol Locker w/ Finish Paint



JCP Specifications: Pistol Lockers are fabricated from 10 gauge HRPO steel shell and doors. A 3/16" x 2" x 2" mild steel angle surrounds the unit with 1/2" diameter holes at 8" c/c for the installer to provide and install 3/8" diameter expansion anchors to mount the locker to the wall. A continuous hinge and cam lock is provided at each door and each compartment is carpeted on the bottom and sides. Two keys per lock and two master keys for the entire unit are furnished. Pistol lockers are shipped fully welded and assembled with one shop coat of our standard primer.

Pistol lockers specified to receive finish paint will receive one shop coat of our standard primer and one shop coat of our standard finish paint with a textured finish. Finish paint color will be from our standard finish paint color palette.

Note: The wall must be flat and true within 1/16" +/- for the proper installation of the pistol locker. Special pistol locker sizes, gauges, or construction may be available on a per project basis for additional cost, please contact a JCP estimator for pricing and availability.

Pistol locker sizes (excluding mounting angle):

Three compartment:	16" wide x 24" high x 8" deep
Six compartment:	32" wide x 24" high x 8" deep
Nine compartment:	48" wide x 24" high x 8" deep
Twelve compartment:	64" wide x 24" high x 8" deep

JAILS CORRECTIONAL PRODUCTS A Division of **FABCOR, Inc.**

350 South Ohio Street, P.O. Box 58
Minster, Ohio 45865
www.fabcor.com

Phone: (419) 628- 4428
Fax: (419) 628- 2899
E-mail: jails@fabcor.com

Equipment Assembly

EA-06.01

Revision C

©2003 Fabcor, Inc.